


CAS600H E

This product is only suitable for well insulated rooms or occasional use.

 The product complies with the European Safety Standards and the European Standard Electromagnetic Compatibility (EMC)
These cover the essential requirements of EEC Directives

Introduction

Please read this information guide carefully to be able to safely install, use and maintain your product.

Important Safety Advice

CAUTION: FAILURE TO FOLLOW THESE INSTRUCTIONS MAY CAUSE INJURY AND/OR DAMAGE AND MAY INVALIDATE YOUR GUARANTEE

Important Safety Advice

When using electrical appliances, basic precautions should always be followed to reduce the risk of fire, electrical shock and injury to persons, including the following:

- If the appliance is damaged, check with the supplier before installation and operation.
- Do not use outdoors.
- Do not use in the immediate surroundings of a bath, shower or swimming pool.
- Do not locate the appliance immediately below a fixed socket outlet or connection box.

Warning: This heater must not be used for anything other than normal domestic household purposes in the country where it was purchased from a recognised commercial retailer.

This appliance can be used by children aged from 8 years and above and persons with reduced physical, sensory or mental capabilities or lack of experience and knowledge if they have been given supervision or instruction concerning use of the appliance in a safe way and understand the hazards involved. Children shall not play with the appliance. Cleaning and user maintenance shall not be made by Children without supervision.

Children of less than 3 years should be kept away unless continuously supervised. Children aged from 3 years and less than 8 years shall only switch on/off the appliance provided that it has been placed or installed in its intended normal operating position and they have been given supervision or instruction concerning use of the appliance in a safe way and understanding the hazards involved. Children aged from 3 years and less than 8 years shall not plug in, regulate and clean the appliance or perform user maintenance.

Warning: This appliance must be earthed.

The use of an extension lead or multi-plug adaptor is not advised when connecting this product to the mains. Connection through these devices could lead to a risk of overloading, overheating and even fire at the extension lead or adaptor due to inadequate connection quality.

This heater must be used on an ~alternating current supply (~) only and the voltage marked on the heater must correspond to the supply voltage.

Do not use this appliance in series with a thermal control, a program controller, a timer or any other device that switches on the heat automatically, since a fire risk exists when the appliance is accidentally covered or displaced.

DO NOT use the heater on deep pile carpets or the long hair type of rugs, or less than 750mm (30") away from any overhanging surface. Keep combustible materials such as drapes and other furnishings clear from the front, sides and rear of the heater. Do not use heater to dry your laundry.

In the event of a fault unplug the appliance. Unplug the appliance when not required for long periods.

The appliance must be positioned so that the plug is accessible. If the supply cord is damaged it must be replaced by the manufacturer or service agent or a similarly qualified person in order to avoid a hazard. Keep the supply cord away from the front of the appliance.

Caution: Some parts of this product can become very hot and cause burns. Particular attention has to be given where children and vulnerable people are present.

Warning: In order to avoid overheating, do not cover the appliance. Do not place material or garments on the appliance, or obstruct the air circulation around the appliance, for instance by curtains or furniture, as this could cause overheating and a fire risk.

The appliance carries a DO NOT COVER warning

Warning: In order to avoid a hazard due to inadvertent resetting of the thermal cut-out, this appliance must not be supplied through an external switching device, such as a timer, or connected to a circuit that is regularly switched on and off by the utility.

General Information

Only use filtered water in this appliance.

Always ensure that the appliance is sitting on a level surface.

Although this heater complies with safety standards, we do not recommend its use on deep pile carpets or on long hair type of rugs.

Please note: Used in an environment where background noise is very low, it may be possible to hear a sound which is related to the operation of the flame effect. This is normal and should not be a cause for concern.

If this product experiences a power surge for whatever reason the product may cut-out. This is a normal safety feature and the product will resume operation after 30 seconds.

Once installed, never move this appliance or lay on its back, without draining the water from sump and water tank.

If you intend not using the appliance for longer than 2 weeks, drain the water from sump and water tank and dry the sump.

The water tank, sump, sump lid, tank cap and air filters must be cleaned once every two weeks, particularly in hard water areas.

The appliance should never be operated if the lamps are not working.

The lamps should be regularly inspected as described under 'Maintenance' and 'Changing lamps'.

Installation Instructions

This section describes how to set up your fire.

BEFORE YOU START

1. Ensure that all packing items are removed (read any warning labels carefully) and retain all packing for possible future use e.g. in the event of moving house or returning the appliance to your supplier.
2. Before connecting the appliance, check that the supply voltage is the same as that stated on the heater.

Installation into a Fireplace Mantle

1. When installing this appliance into a fireplace mantle please ensure that you choose a mantle suitable for your appliance (Fig 18). There is to be an air vent at the front of the fireplace mantle of at least 88cm². It is essential to ensure that air can circulate into the appliance – otherwise the Opti-myst flame effect will not operate correctly. This pathway for air must not be obstructed
2. Remove the 4 spacing brackets on the front of the appliance (Fig 19)
3. Slide the appliance into the fireplace mantle fully from the back ensuring that it is sitting in the center of the mantle. Using suitable screws (not supplied) screw fix the appliance in place (Fig 20)
4. Be sure to position the fireplace within 1m of a power outlet (Fig 21)

Installation into a wall or recess cavity

1. Note the product dimensions in Fig 1 and build a suitable structure for the appliance to fit into within 1m of a power outlet (Fig 22). Using suitable screws (not supplied) screw fix the appliance in place
2. Note the venting slots in the appliance. There are located at the front base and under the appliance
3. Build the wall up against the appliance using the spacing brackets as a guide.
4. There is to be an air vent at the front of the structure of at least 88cm². It is essential to ensure that air can circulate into the appliance – otherwise the Opti-myst flame effect will not operate correctly. This pathway for air must not be obstructed. For examples of air vents in a wall or recess cavity see Fig 23

Connecting the Transducer Unit + Lamps

1. Release the two red tabs by turning them by 90 degrees (Fig 2)
2. Lift out the Sump Nozzle (Fig 3)
3. Insert lamps into lamp holders (Fig 4), carefully locating the pins into the holes (Fig 4a)
4. Push lamps firmly into place
5. Place the Transducer Unit into the sump and join the cable to the connector on the sump (Fig 5)
6. To ensure that the Transducer Unit is correctly placed in the sump, the tab on the Transducer Unit should be lined up with the moulded recess in the sump (Fig 5a).
7. Ensure that the cable is not placed above the disc on the Transducer Unit (Fig 5b). To prevent the cable becoming pinched between the nozzle and the sump, place the cable in the slot in the wall of the sump.
8. Replace the Sump Nozzle and secure it by turning the two red tabs by 90 degrees (Fig 6)

Filling the Water Tank

9. Place Water Tank in sink and remove cap (turn anti-clockwise to open) (Fig 7)
10. Fill Water Tank with filtered tap water only. This is necessary to prolong the life of the flame and smoke producing unit. The water should be filtered through a conventional domestic water filter unit and the filter should be replaced regularly. Distilled water must not be used.
11. Screw the cap back on – do not overtighten.
12. Place the Water Tank in the Sump, with the tank cap facing down and the flat side of the tank facing outward (Fig 8)

Assembling the fire

13. Place the Fuelbed on top of the Water Tank and Mist Nozzle (Fig 9)

Operating the Product

WARNING: FAILURE TO FOLLOW THESE OPERATING INSTRUCTIONS MAY RESULT IN INJURY AND/OR DAMAGE.


Manual Controls


The Opti-myst Manual controls are located on the base of the appliance.

(See Fig. 2 for Manual Control lay out)

Switch 'A':- Controls the electricity supply to the Fire.

Note: This switch must be in the 'ON' (I) position for the Fire to operate with or without heat when activated.

Switch 'B':- Press  once to turn on the flame effect. This will be indicated by an audible "beep". Although the main lights operate immediately it will take a further 45 seconds before the flame effect starts.

Press  to put fire into standby mode. This will be indicated by one "beep".

Remote Control

The remote control is packed with 2 AA batteries in a bag. Lift off the battery cover on the back of the remote control and insert the batteries taking note of the polarity.

The remote control has already been paired to your product during factory assembly. In the unlikely event that the remote control disconnects from the product, or you obtain a spare remote control, you will need to complete the pairing process:

1. Switch off the appliance with the main switch.
2. Activate the remote control with the ENTER button.
3. If the display shows "PAIR", go to step 8, if not continue with the next step.
4. Press the UP and DOWN buttons for 5 to 8 seconds.
5. The display shows "Fr y".
6. Press the ENTER button.
7. The display shows "PAIR".
8. Switch on the appliance at the main switch and hold the remote control close to the unit.
9. When "PAIR" flashes, press the button and the remote control connected.

Adjust the Flame Setting

With the remote control activated press once. FIRE will be blinking on the display. Press ENTER. The current flame setting will be displayed F1-F6. Press the UP and DOWN buttons to adjust the setting. After you have selected your flame setting press BACK twice to exit the menu and return to the home screen.

Select the Heater Setting

With the remote control activated press MENU once. FIRE will be blinking on the display. Press ADV once, HEAT will be blinking. Press ENTER. The current heat setting will be displayed OFF LO HI. Press the UP and DOWN buttons to adjust the setting. After you have selected your flame setting press ENTER.

Setting the Thermostat

With the remote control activated press MENU once. Press UP until is flashing then press ENTER The temperature shown on the display is the room temperature set point. This is the temperature that the heater will maintain during the heating periods. If the room temperature is above this temperature then the heater will not operate. The heater leaves the factory with this temperature set at 21°C which represents a typical comfortable room temperature. If you require a different room temperature then press ~~ADV~~ up or down on the home screen until the display shows the temperature you require.

Note the heat will activate after you have selected your heater setting and your temperature setting

Thermal Safety Cut-out

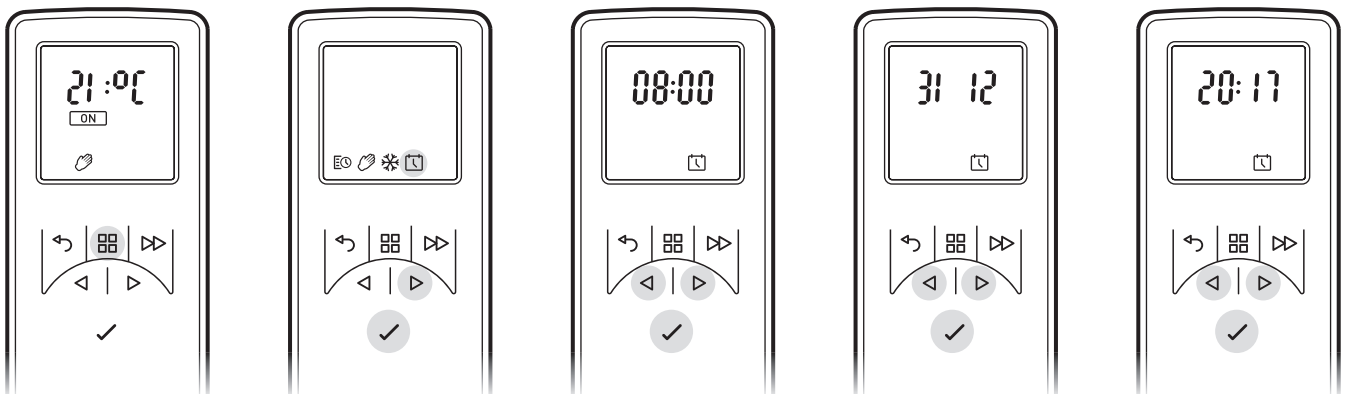
A thermal safety cut-out is incorporated in the fan heater to prevent damage due to overheating. This can happen if the heat outlet was restricted in any way. If the cut-out operates, unplug the heater from the socket outlet and allow approximately 10 minutes before reconnecting. Before switching the heater back on remove any obstruction that may be restricting the heat outlet, then continue normal operation.

CAUTION: In order to avoid a hazard due to inadvertent resetting of the thermal cutout, this appliance must not be supplied through an external switching device, such as a timer, or connected to a switch that is regularly switched on and off by the utility.

Setting the Date and Time

To set the date and time on the heater;

1. Press the Menu button
2. Press ^ button 4 times
3. Press Enter when the Date & Time icon is blinking
4. Press Enter to set Time
5. Press v and ^ to set the Hour, press Enter
6. Press v and ^ to set the Minutes, press Enter to confirm the time
7. Press v and ^ to set the Day, press Enter
8. Press v and ^ to set the Month, press Enter
9. Press v and ^ to set the Year, press Enter to confirm the date



Modes of Remote Operation

User Timer: Provides greatest flexibility to the user. Four times slots are available throughout the day and these can be customised for each day of the week. See "How to adjust the timer modes" for instructions on adjusting these from the factory default time periods & temperatures.

Manual Mode: This mode heats the room to the temperature you have set the remote control to.

Frost Protection: This mode will maintain a room temperature to 7°C. This mode should be used to provide protection against frost as indicated by the frost icon.

Choosing and Setting a Mode

User Timer - To re-programme the factory default Timer Modes:

1. Press Menu Button
2. Press ^ once to the schedule Icon is blinking. Press Enter
3. Press ^ Twice then press Enter
Days of the weeks are now displayed at the top of the screen
Day 1 = Monday
Day 2 = Tuesday
Day 3 = Wednesday
Day 4 = Thursday
Day 5 = Friday
Day 6 = Saturday
Day 7 = Sunday
4. Press Enter to Modify Day 1 or Press ^ to navigate to the desired day and Press Enter to Select
5. P1 will be displayed on screen
6. Press Enter to select P1, to navigate to P2, P3 or P4 press ^ and press Enter to select
7. ON will be highlighted, press Enter to set the on Time
8. Press v or ^ to adjust the on Hour time, press Enter to Confirm
9. Press v or ^ to adjust the on Minute time, press Enter to Confirm
10. Press v or ^ to adjust the Temperature setting, press Enter to Confirm
11. Press v or ^ to adjust the off Hour time, press Enter to Confirm
12. Press v or ^ to adjust the off Minute time, press Enter to Confirm

Press Enter to modify Programme P2, follow steps 5-12, Press ^ to skip to P3

Press Enter to modify Programme P3, follow steps 5-12, Press ^ to Skip to P4

Press Enter to modify Programme P4, follow steps 5-12

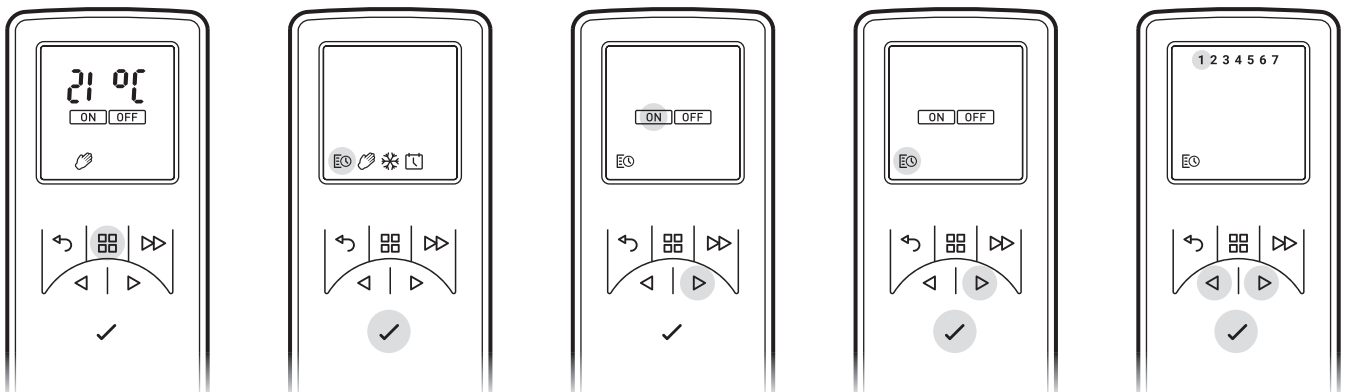
To copy newly programmed P1-P4 heating programmes to other days press the Enter button.

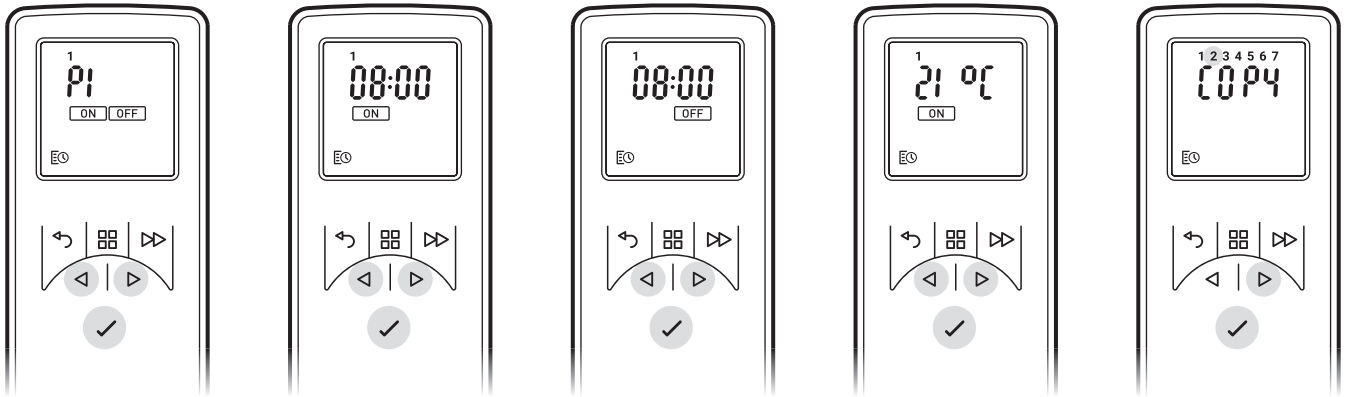
Copy will be displayed on screen

To copy to the next day in sequence, press ^ button. To deselect the next day in sequence press Enter button.

The days of the week that are selected will be displayed at the top of the screen. The days that have been deselected will not be visible (see Diagrams).

Press Enter to confirm, backlight will flash and return to home screen.



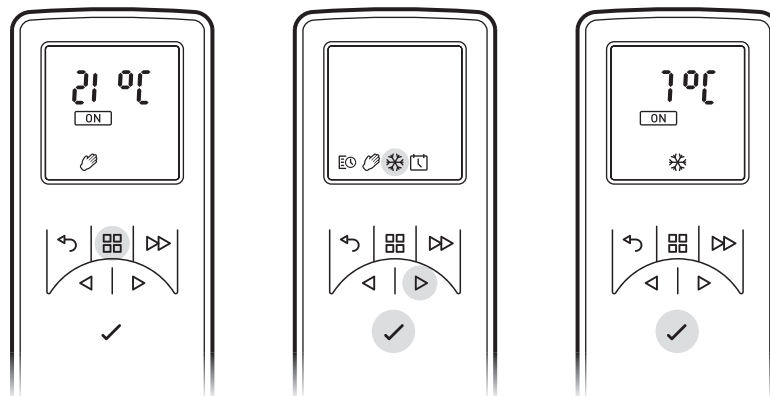


Manual Mode - To choose a constant heat mode. This mode ignores the User Timer and maintains the displayed temperature.

- Press Menu Button
- Press ^ twice to highlight the Hand icon
- Press Enter to Confirm
- Use v and ^ to adjust to the desired temperature

Frost protect - Frost protect mode maintains a room temperature of 7°C throughout a 24 hour period. This mode should be used to provide protection against frost as indicated by the Frost icon.

- Press the Menu button
- Press ^ three times to highlight the snowflake icon
- Press Enter to confirm
- Press v or ^ to exit this mode and enter manual mode.



Getting the Desired Flame Effect

1. Using the remote control press MENU, FIRE on the display will be flashing, press ENTER. The current setting will be displayed. Press ^ or v to toggle between F1 and F6. F1 being the lowest setting and F6 being the highest setting.
2. Generally the flames appear more realistic when the flame control is turned down.
3. Give the flame generator time to react to changes you may make.
4. The fire will use less water if the flame effect is set to a lower level.
5. Do not tilt or move the fire while there is water in the tank or sump.
6. Make sure that the fire is on a level floor.

Customising the display

The maximum temperature set point on the product is 30°C You have the option to reduce this set point. You can also change °C to °F

1. Press the Menu button.
2. Press the ADV button twice - SP will be blinking.
3. Press Enter to confirm.
4. Press v or ^ to choose between °C and °F.
5. Press Enter to confirm.
6. Press v or ^ to choose your maximum temperature set point.
7. Press Enter to confirm.
8. Press BACK three times to return to the home screen.

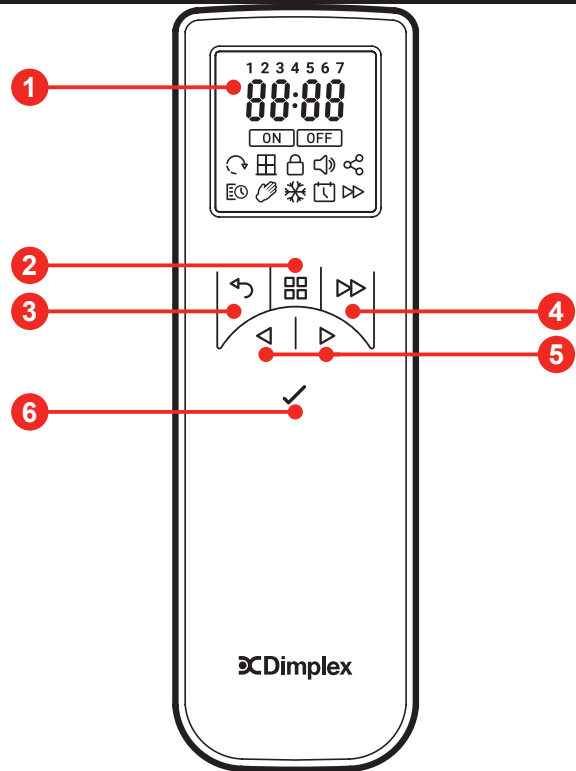
Adaptive Start

The built-in electronics in this appliance have a learning function with regards to how long it takes to heat up a room. Having learnt how quickly it can heat up your room, the appliance is able to turn on at just the right time in order to get the room up to a comfortable temperature when you want it. For example, if you get up at 7am, you would normally have to guess when to turn the heating on in order for it to pre-heat the room in time. Depending on how cold it is outside, this could mean the room is still cold when you have to get out of bed, or mean that its been warm for half an hour before it needed to be. Adaptive Start means that if you select 21°C at 7am, the heater will turn on exactly when it needs to in order to meet this target, running for shorter periods of time when the weather is mild, and ensuring the room is nice and warm in the winter.

The Adaptive Start function will automatically activate when you use the Timer Mode.

Remote Control

- 1 Display Screen
- 2 'Menu' Button
- 3 'Back' Button
- 4 'Advance' Button
- 5 'Up and Down' Arrows
- 6 'Enter' Button



Maintenance

GENERAL TIPS

Only use filtered tap water in this appliance.

Always ensure that the appliance is sitting on a level surface.

If you intend not using the appliance for longer than 2 weeks, remove and empty the sump and water tank.

Once installed, never move this appliance or lay on its back, without draining the water from sump and water tank.

The appliance should never be operated if the lamps are not working.

The lamps should be regularly inspected as described under 'Changing lamps'.

FILLING THE WATER TANK

When the water tank is empty, the flame and smoke effect shuts off and you will hear 2 audible beeps, follow these steps.

1. Press Switch 'A' to (0) (Fig. 10)
2. Gently lift out the fuelbed and carefully set aside.
3. Remove the water tank by lifting upwards and outwards.
4. Place the water tank in sink and remove cap, Anti-clockwise to open. (Fig. 7)
5. Fill tank with filtered tap water only. This is necessary to prolong the life of the flame and smoke producing unit.
The water should be filtered through a conventional domestic water filter unit and the filter should be replaced regularly.
6. Screw the cap back on, do not over tighten.
7. Return the tank to the sump, with the tank cap facing down and the flat side of the tank facing outward. (Fig. 8)
8. Gently place the fuelbed back into position. (Fig. 9)
9. Press Switch 'A' to 'ON' (I) position (Fig. 10)

CHANGING LAMPS

If the flame and smoke effect appears grey or colourless it may be that one or more lamps have failed.

You can check for lamp failure as follows.

1. Leaving the flame effect on, lift out the fuelbed and water tank.
2. It should be possible to view the lamps with the nozzle in place and observe which one needs to be changed.
3. Put Switch 'A' in the 'OFF' position, and unplug the fire from the mains.
4. Leave the appliance for 20 minutes to allow the lamps to cool down before removing them.
5. Remove the sump as described in the Cleaning Section.
6. Remove the defective lamp, by gently lifting vertically and disengaging the pins from the lamp holder, (Fig. 4 and 4a).
Replace with an OPTIMYST, 12V, 45W, Gu5.3 base, 8° beam angle, coloured lamp. (Purchased from our your supplier)
7. Carefully insert the two pins of the new lamp into the two holes in the lamp holder. Push firmly in place. (Fig. 4 and 4a).
8. Replace the sump, nozzle, water tank and fuelbed.

CLEANING

Warning – Always press Switch 'A' to the 'OFF' (0) position (Fig. 10) and disconnect from the power supply before cleaning the fire.

We recommend cleaning the following components once every 2 weeks, particularly in hard water areas:-

Water Tank, Sump, Nozzle, Tank cap and seal, Air filter.

For general cleaning use a soft clean duster – never use abrasive cleaners.

To remove any accumulation of dust or fluff the soft brush attachment of a vacuum cleaner should occasionally be used to clean the outlet grille of the fan heater.

Water tank

1. Remove water tank, as described earlier, put into sink and empty water.
2. Using the supplied brush gently rub the inside surfaces of the cap paying particular attention to the rubber ring in the outer groove and the centre rubber seal.
3. Put a small quantity of washing up liquid into the tank, refit the cap and shake well, rinse out until all traces of washing up liquid are gone.
4. Refill with filtered tap water only, replace the cap, do not overtighten.

Sump

1. Press Switch 'A' to the 'OFF' (0) position
2. Gently lift out the fuelbed and place carefully on the ground.
3. Remove the water tank by lifting upwards.
4. Disconnect the electrical connector, located on the right side of the sump. (Fig. 5) .
5. Release the right sump locking tabs by turning 90°. This allows the sump to be lifted completely from its location. (Fig. 11)
6. Gently lift up the sump, taking care to keep level so as not to spill any water. Sit the assembly in the sink.
7. Release the left sump locking tabs by turning 90°, then lift off the Nozzle. (Fig. 3)
8. Lift out the transducer and carefully tilt, as shown, so that the liquid drains out of the sump. (Fig. 13)
9. Put a small amount of washing up liquid into the sump, and using the supplied brush, gently clean all surfaces in the sump and gently clean the transducer including the metal discs located in the top grooved surface. (Fig. 14)
10. When cleaned, thoroughly rinse the sump with clean water to remove all traces of washing up liquid.
11. Clean the Nozzle with the brush and flush out thoroughly with water. (Fig. 15)
12. Reverse the above steps to reassemble.

Air filter

1. Gently lift out the fuelbed and place carefully on the ground.
2. Gently slide the air filter upwards out of its plastic holder. (Fig. 16)
3. Gently rinse with water in the sink and dry with fabric towel before returning.
4. Replace the filter making sure that the coarse black filter is facing the front of the fire.
5. Replace the fuelbed.

Additional Information

AFTER SALES SERVICE

Your product is guaranteed for two years from the date of purchase. Within this period, we undertake to repair or exchange this product free of charge (excluding lamps & subject to availability) provided it has been installed and operated in accordance with these instructions. Your rights under this guarantee are additional to your statutory rights, which in turn are not affected by this guarantee.

RECYCLING



For electrical products sold within the European Community - At the end of the electrical products useful life it not be disposed of with household waste. Please recycle where facilities exist. Check with your Local Authority or retailer for recycling advice in your country.

PATENT / PATENT APPLICATION

Products within the Optimyst range are protected by one or more of the following patents and patent applications:

Great Britain GB 2402206, GB 2460259, GB 2460453, GB 2418014, GB 2465738, GB 2449925, GB 2465537, GB 2455277, GB1020534.2, GB1020537.5, GB1110987.3

United States US 7967690, US 2010299980, US 2011062250, US 2008028648, US 13/167,042

Russia RU2008140317

European EP 2029941, EP 2201301, EP 2315976, EP 1787063, EP07723217.1, EP11170434.2, EP 11170435.9

China CN 101883953, CN 200980128666.2, CN 101057105, CN 101438104

Australia AU 2009248743, AU 2007224634

Canada CA 2725214, CA 2579444, CA 2645939

International Patent Application WO 2006027272

South Africa ZA 200808702

Mexico MX 2008011712

Korea KR 20080113235

Japan JP 2009529649

Brazil BR P10708894-9

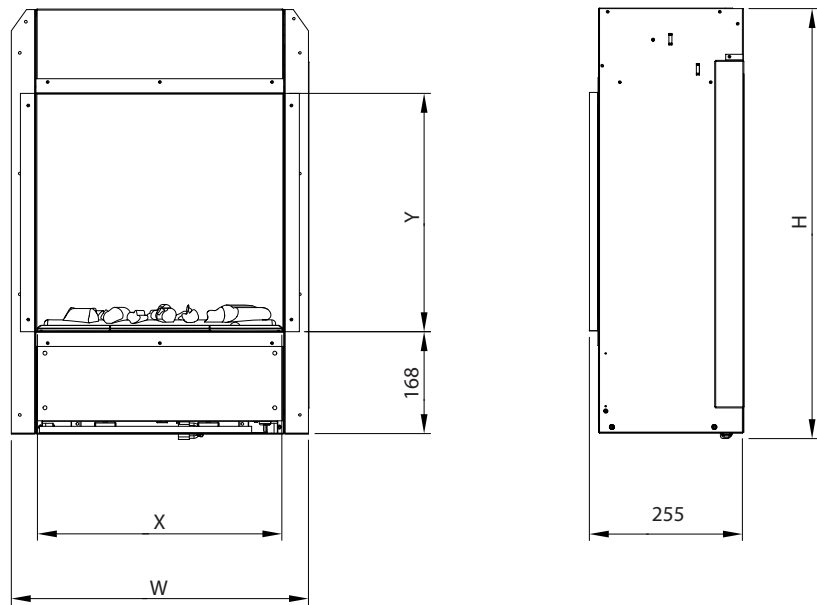
India IN 4122/KOLNP/2008

New Zealand NZ 571900

Troubleshooting

Symptom	Cause	Corrective Action
The flame effect will not start.	Mains plug is not plugged in. Low water level. Low voltage connector not connected properly. (Fig. 5) The Transducer Unit is not sitting correctly in the sump	Check plug is connected to wall socket correctly. Check that the water tank is full and there is water in the sump. Check that the connector is inserted correctly. (Fig. 5) Ensure the Transducer is sitting down into the moulded recess in the sump
The flame effect is too low.	Flame effect knob is set too low. (Fig. 10) The Metal Disc in the transducer might be dirty (Fig. 14) The wire from the Transducer Unit is sitting over the metal disc	Increase level of flame by using Remote Control (See Section for Operating the Product) Clean the Metal Disc with soft brush supplied. (Fig. 14) See 'Maintenance.' for a step by step procedure. Direct the wire to the back of the sump and make sure it sits into the side slot exiting the sump.
Unpleasant smell when unit is used.	Dirty or stale water. Using unfiltered tap water.	Clean the unit as described under maintenance. Use only filtered tap water.
The flame effect has too much smoke.	Flame effect setting is too high.	Turn the flame effect Control knob 'D' to the right, about ¼ a turn, at a time. Give the flame generator some time to adjust to the new setting. (Fig. 10)
Main lamps are not working and there are no flames or smoke.	There is no water in the water tank	Follow instructions under Maintenance, 'Filling the water tank'. Check the plug is connected to the wall socket correctly and that Switch 'A' Fig. 10 is in the 'ON' (I) position.

Fig. 1



MODEL	'H'	'W'	'X'	'Y'
ENG56-400	700mm	490mm	413mm	395mm
ENG68-400	823mm	490mm	413mm	517mm
ENG56-600	700mm	646mm	569mm	395mm

Fig. 2

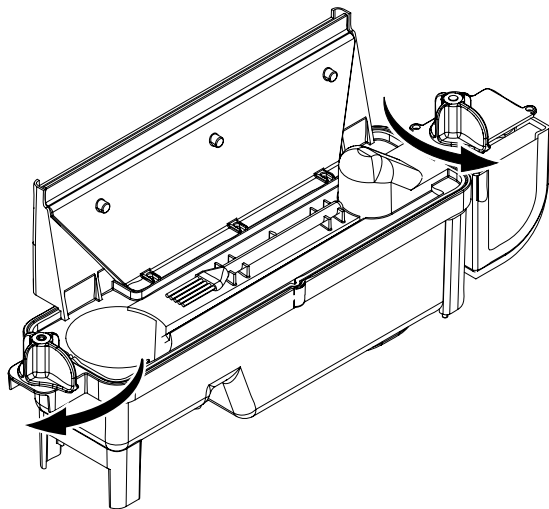


Fig. 3

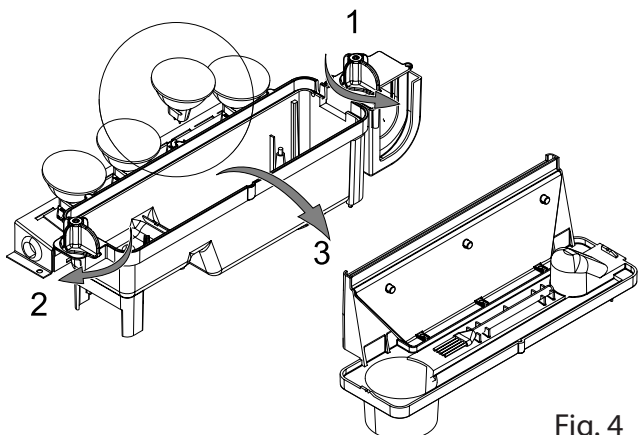
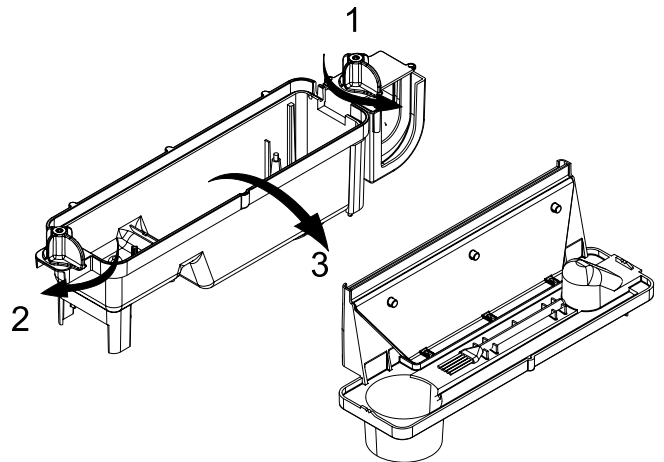


Fig. 4

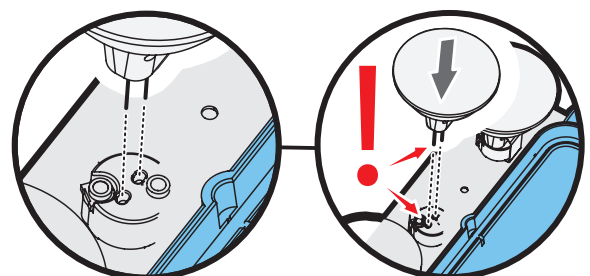


Fig. 4a

Fig. 5

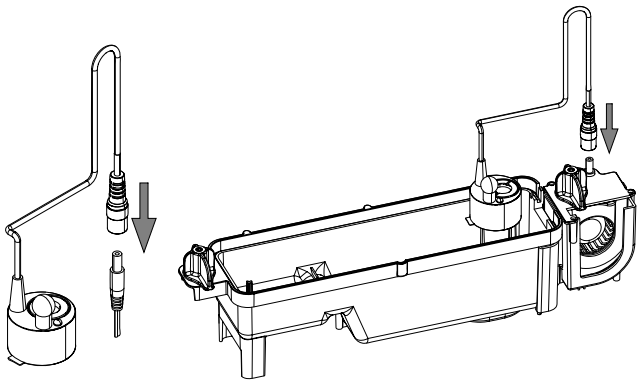


Fig. 5a

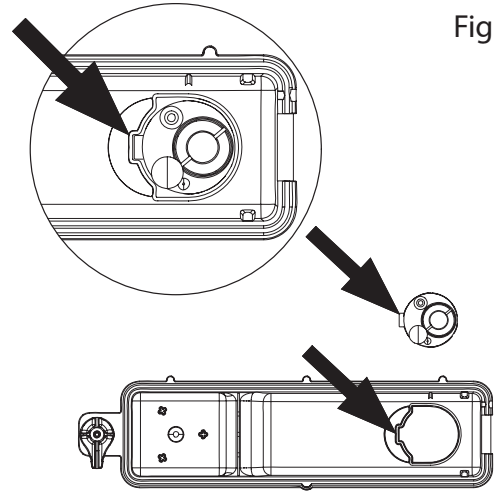


Fig. 5b

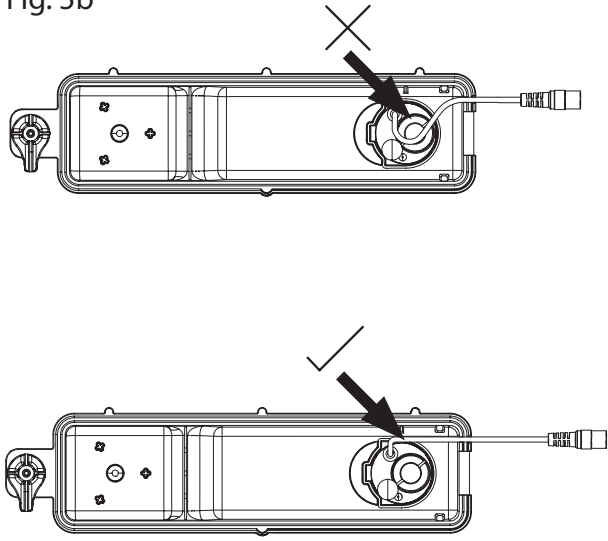


Fig. 6

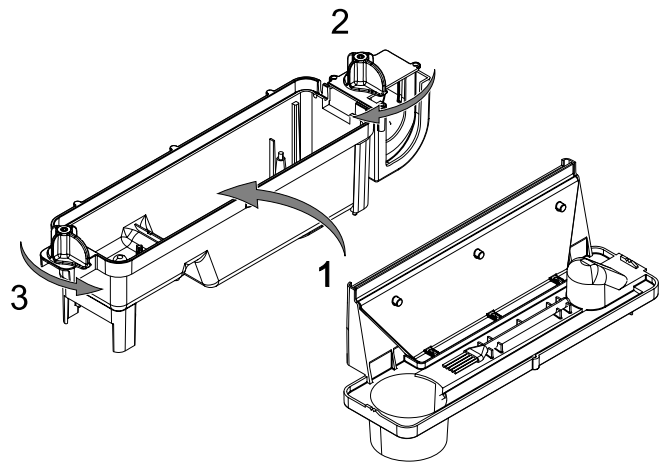


Fig. 7

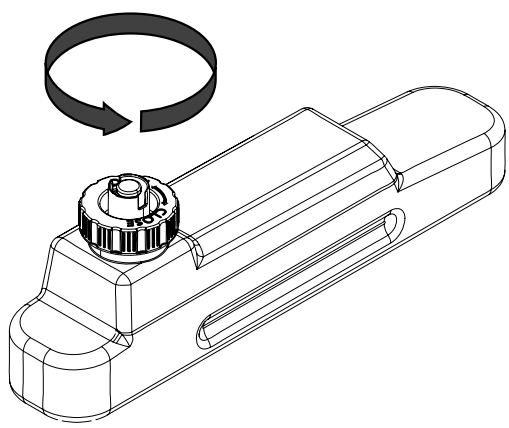


Fig. 8

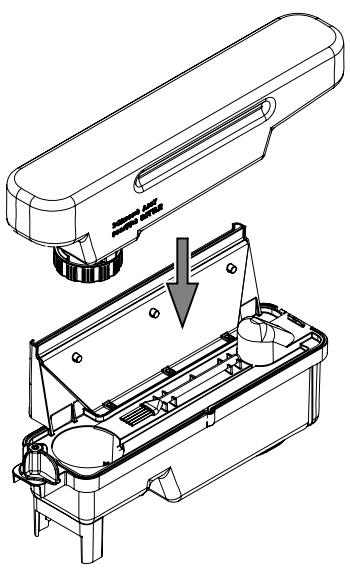


Fig. 9

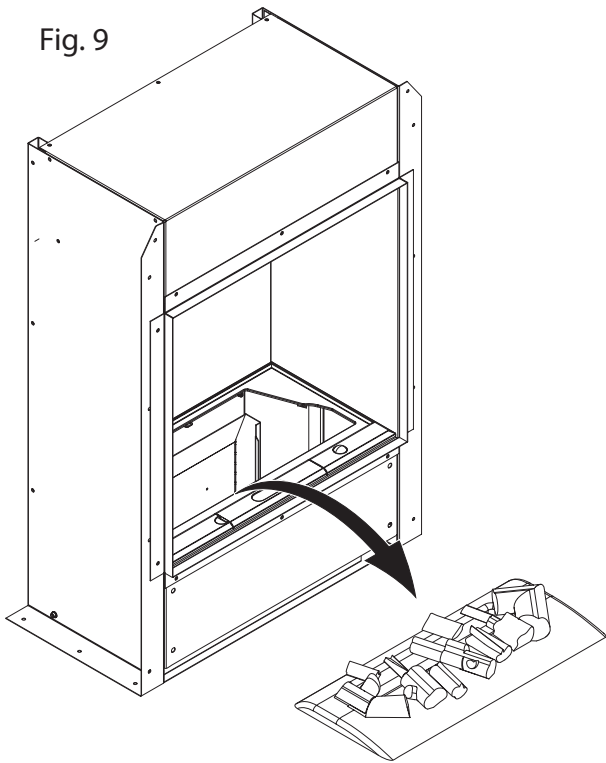


Fig. 10

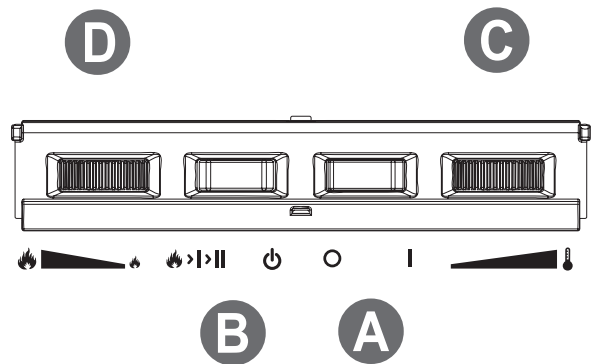


Fig. 11

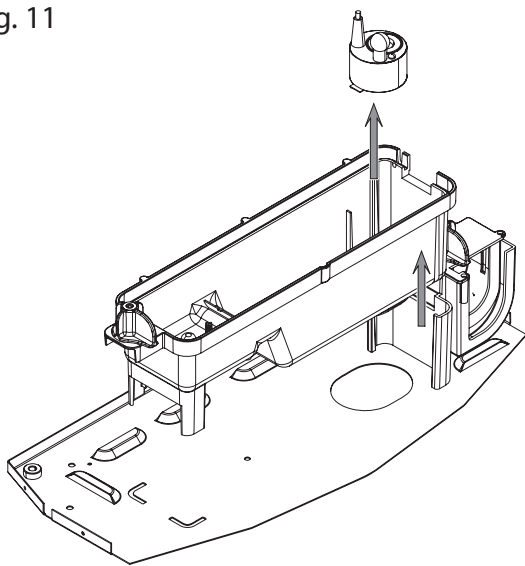


Fig. 12

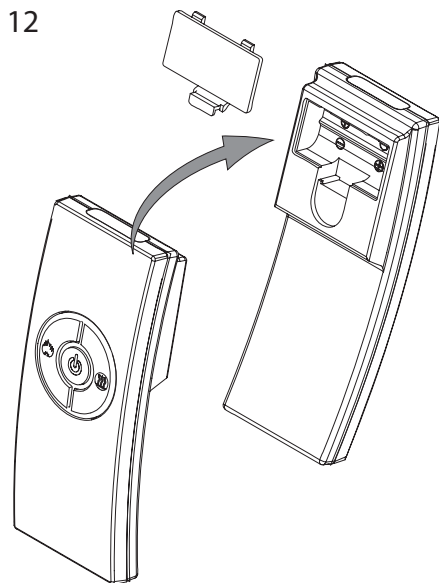


Fig. 13

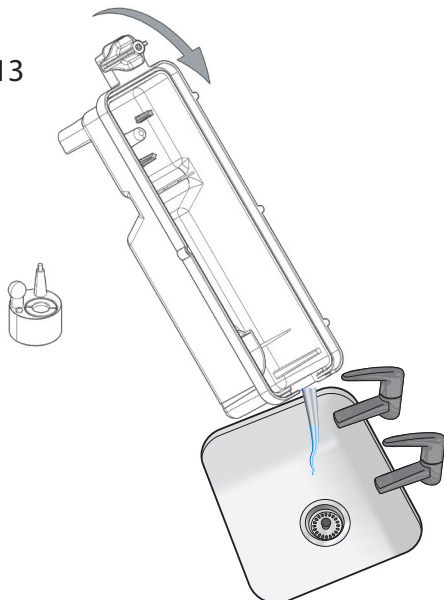


Fig. 14

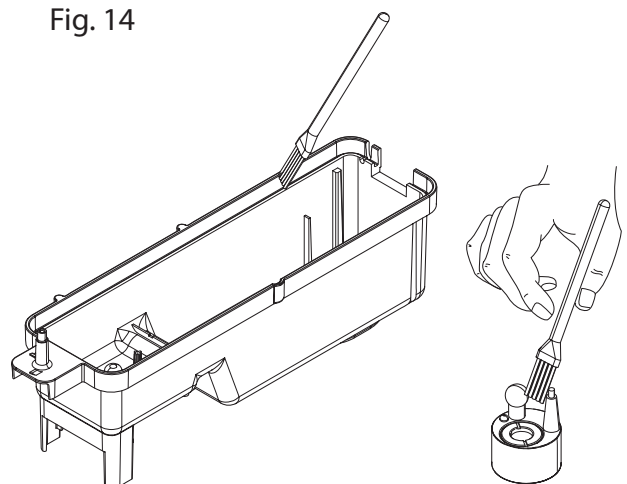


Fig. 15

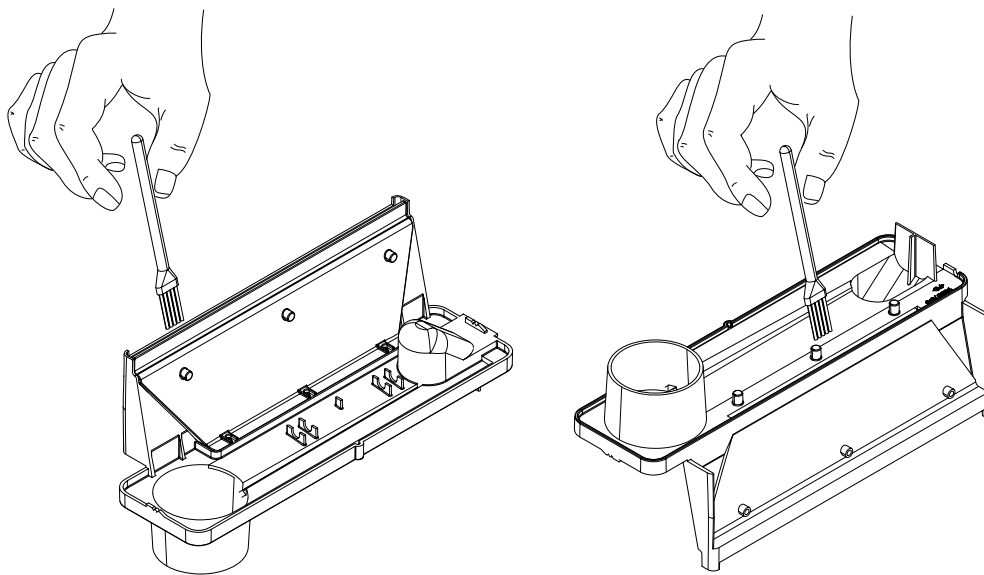


Fig. 16

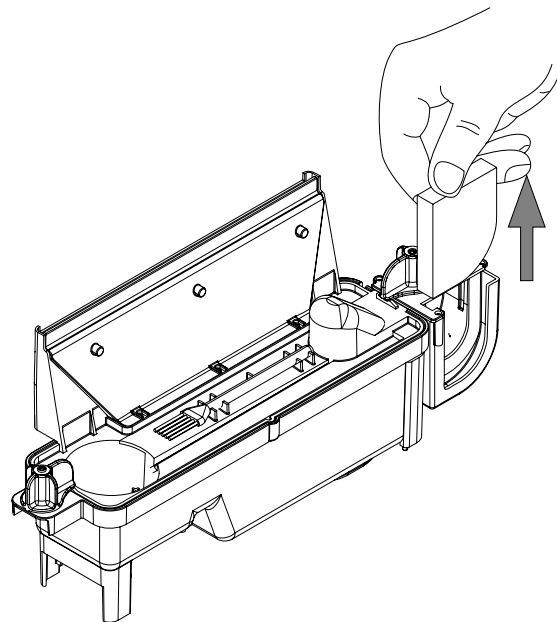


Fig. 17

