

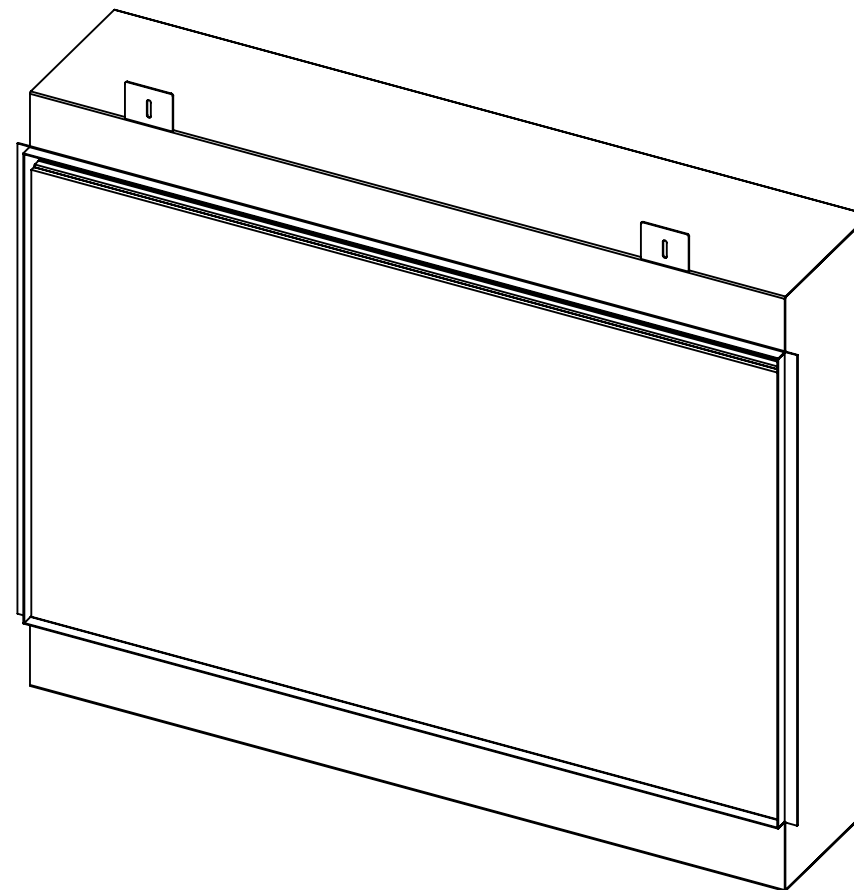
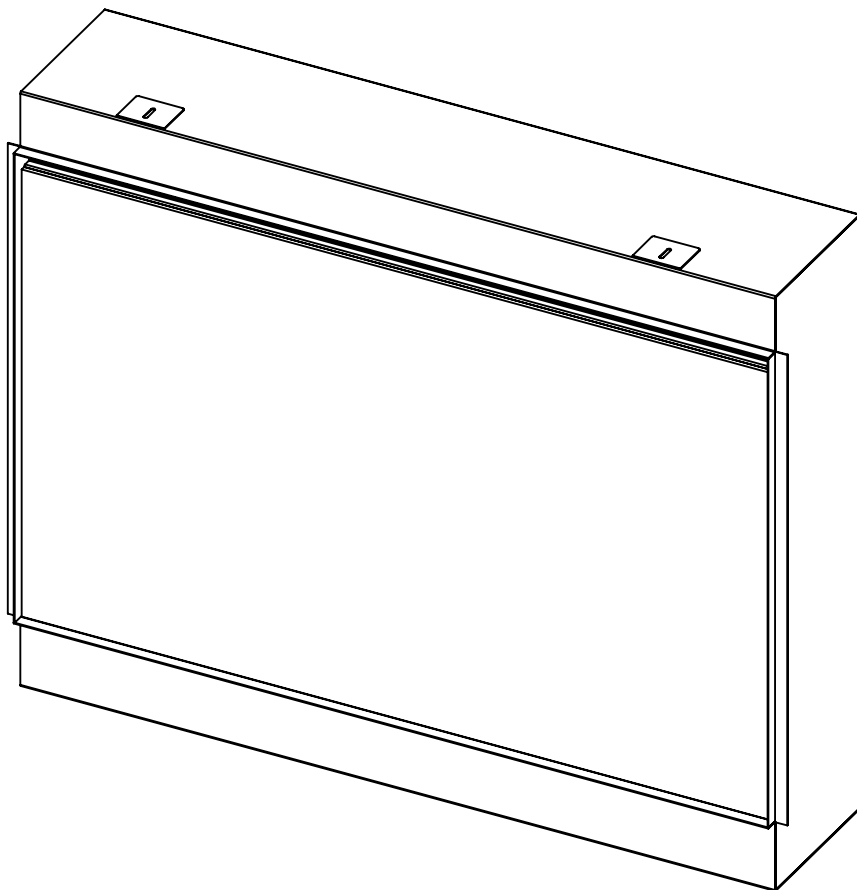
Katell Ltd

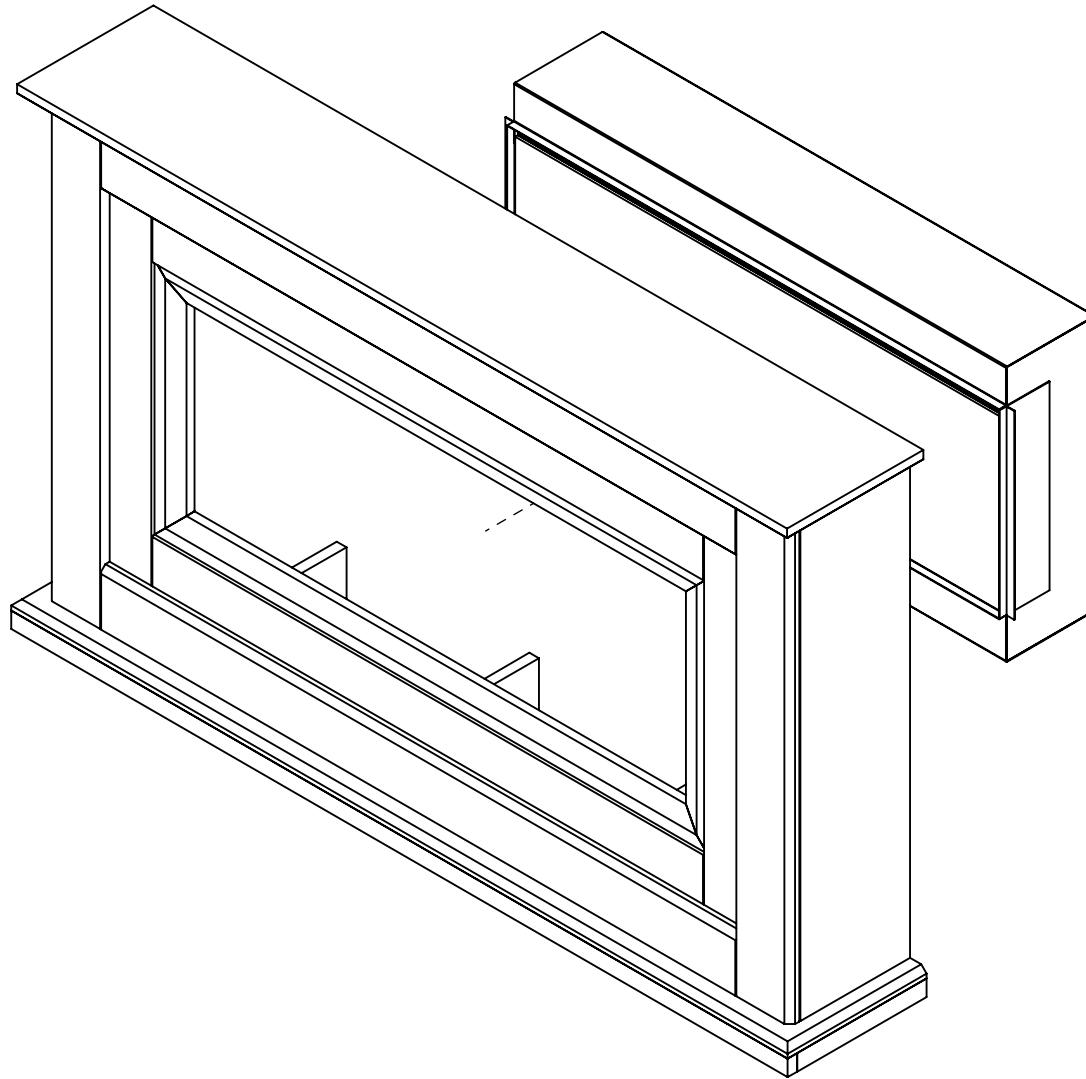
Product: Delfina Fitting Instructions

Copyright © Katell Ltd. All rights reserved under copyright, design and patent law. No copying of this document or item shown may be made without prior permission  
Address: 478-480 Durham Way North, Newton Aycliffe, Co. Durham, DL5 6HP Tel: 01325 379060 Fax: 01325 309120 Web: [www.katell.co.uk](http://www.katell.co.uk) E-Mail: [sales@katell.co.uk](mailto:sales@katell.co.uk)

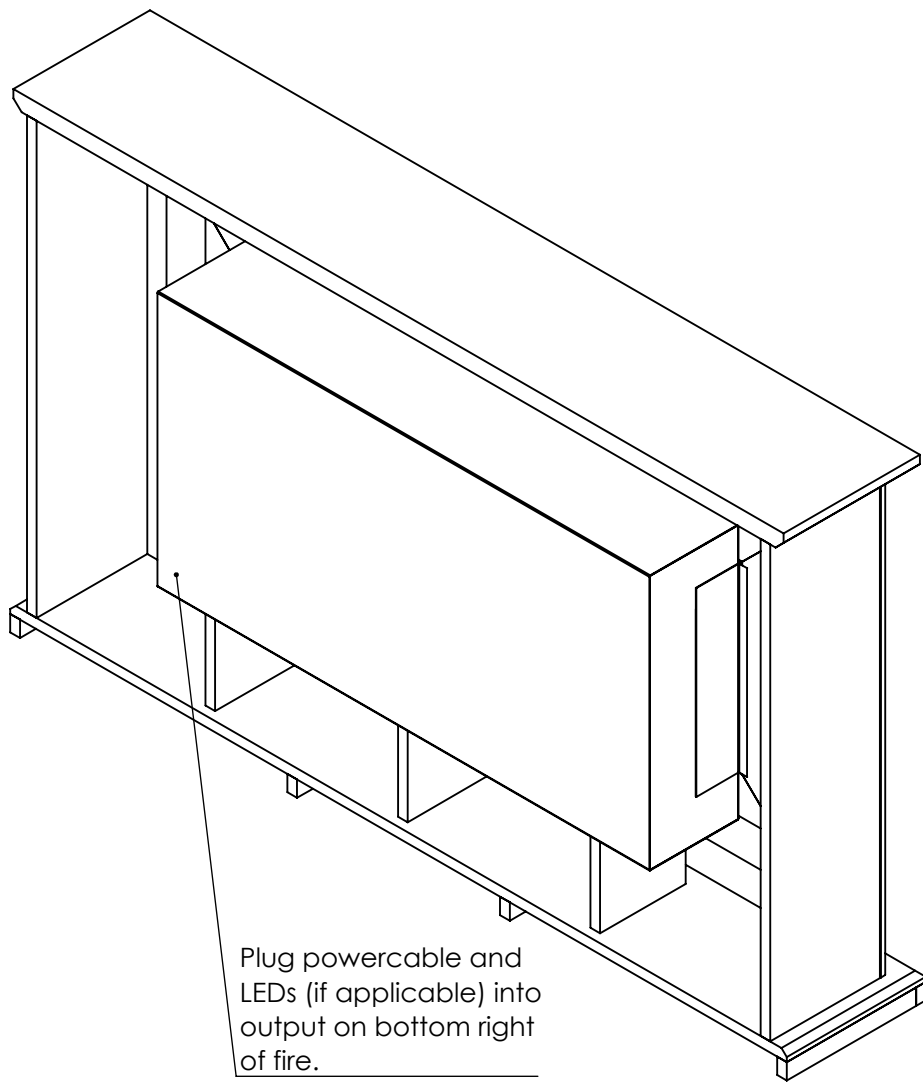
 **Katell**  
By **Charlton & Jenrick** GROUP  
Commercial, Industrial, Agricultural & Domestic

Flip the tabs up on the top of the surround so they are vertical.

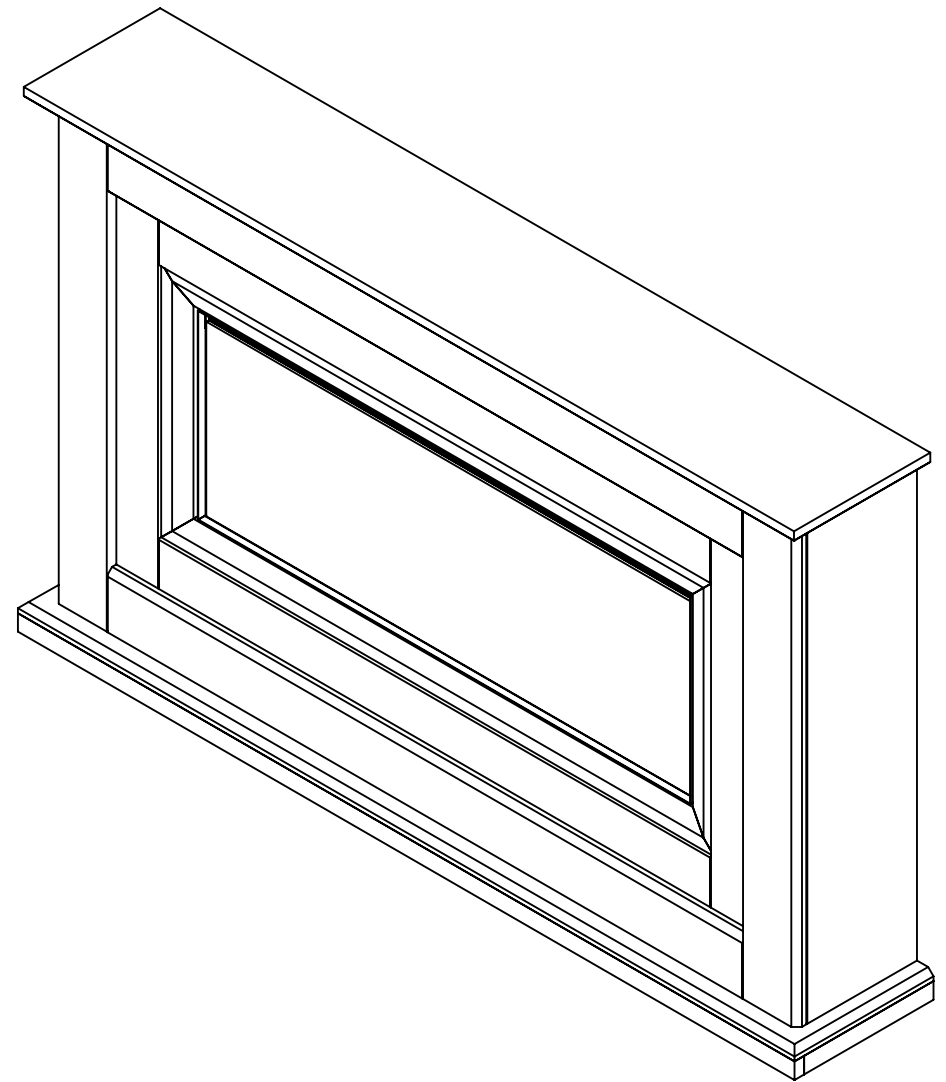




Slot the fire into the surround from behind, then screw through the tabs on the top to the surround.



Plug powercable and LEDs (if applicable) into output on bottom right of fire.



Katell Ltd

Product: Delfina Fitting Instructions

Copyright © Katell Ltd. All rights reserved under copyright, design and patent law. No copying of this document or item shown may be made without prior permission  
Address: 478-480 Durham Way North, Newton Aycliffe, Co. Durham, DL5 6HP Tel: 01325 379060 Fax: 01325 309120 Web: [www.katell.co.uk](http://www.katell.co.uk) E-Mail: [sales@katell.co.uk](mailto:sales@katell.co.uk)

 **Katell**  
Part of **Charlton & Jenrick** Group  
Commercial Fire, Light & Sound